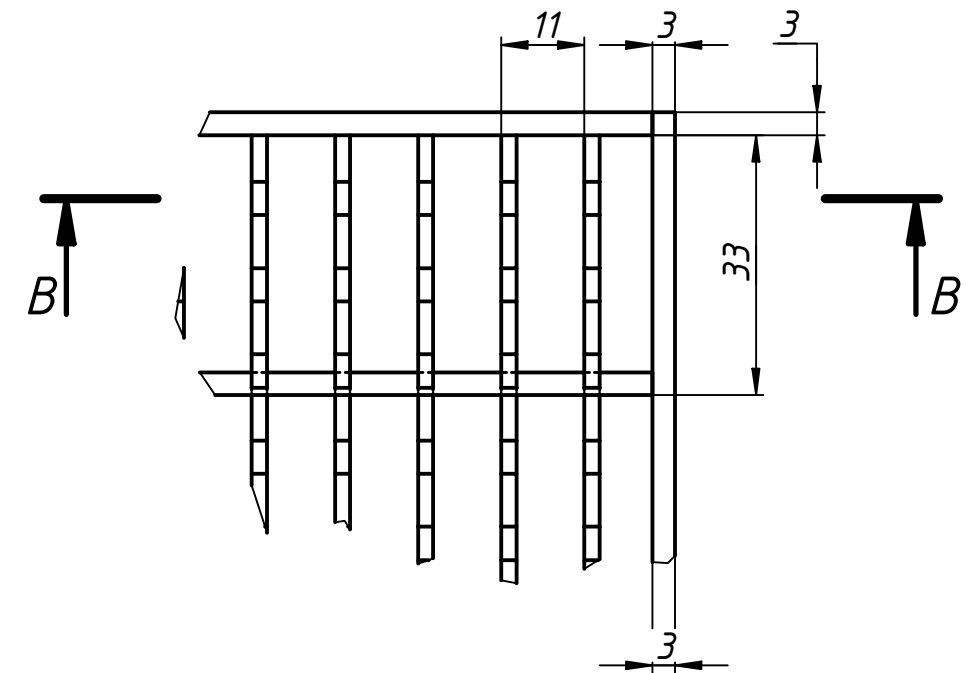
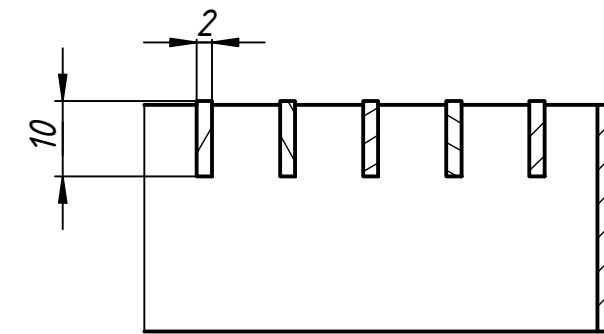


A (1:1)



B-B (1:1)



Material: Steel
Type: S235
Height: 30mm
Thickness: 3mm
Coating : Zinc

Cross bar: 10x2

Metal-Disain OÜ

Visase 12,
11415, Tallinn

Tel: (+372) 666 9966
Fax: (+372) 666 9969

E-mail: metaldis@metaldis.ee