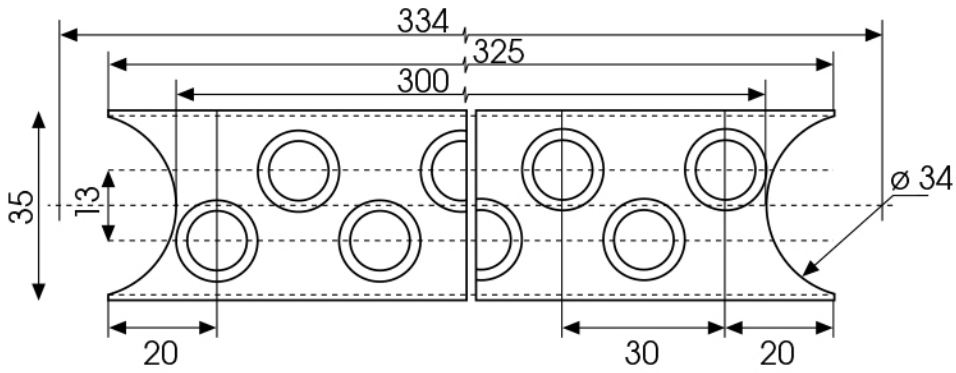
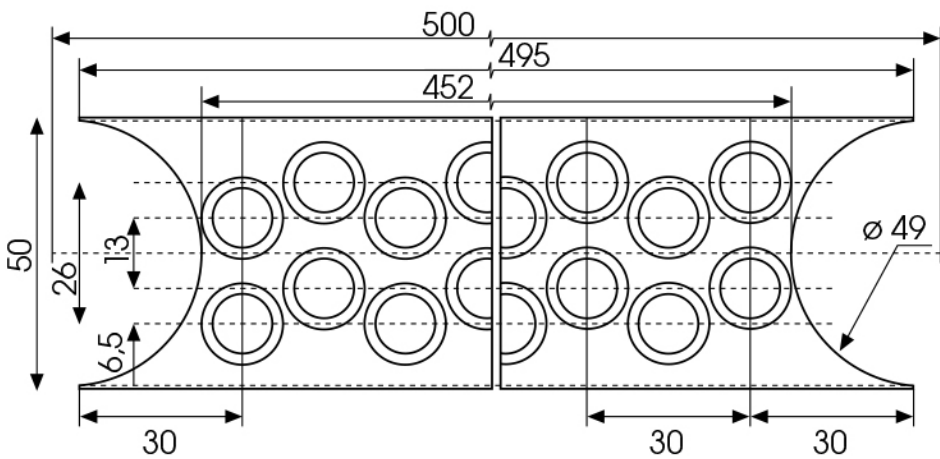


VARIANT 1



VARIANT 2



VARIANT 3

Ladder rung profiles

	Length in mm	Weight in kg/each
Variant 1 25 x 30 x 2		
Steel StW 22	2,000	2.42
Stainless steel V2A	2,000	2.43
Aluminium AlMg ³	2,000	0.83
Variant 2 35 x 30 x 2		
Steel StW 22	2,000	2.79
Stainless steel V2A	2,000	2.81
Aluminium AlMg ³	2,000	0.96
Variant 2 50 x 40 x 2		
Steel StW 22	2,000	3.83
Stainless steel V2A	2,000	3.86
Aluminium AlMg ³	2,000	1.32

NBI LRP is available only as L-2000 mm and without radius on the sides.