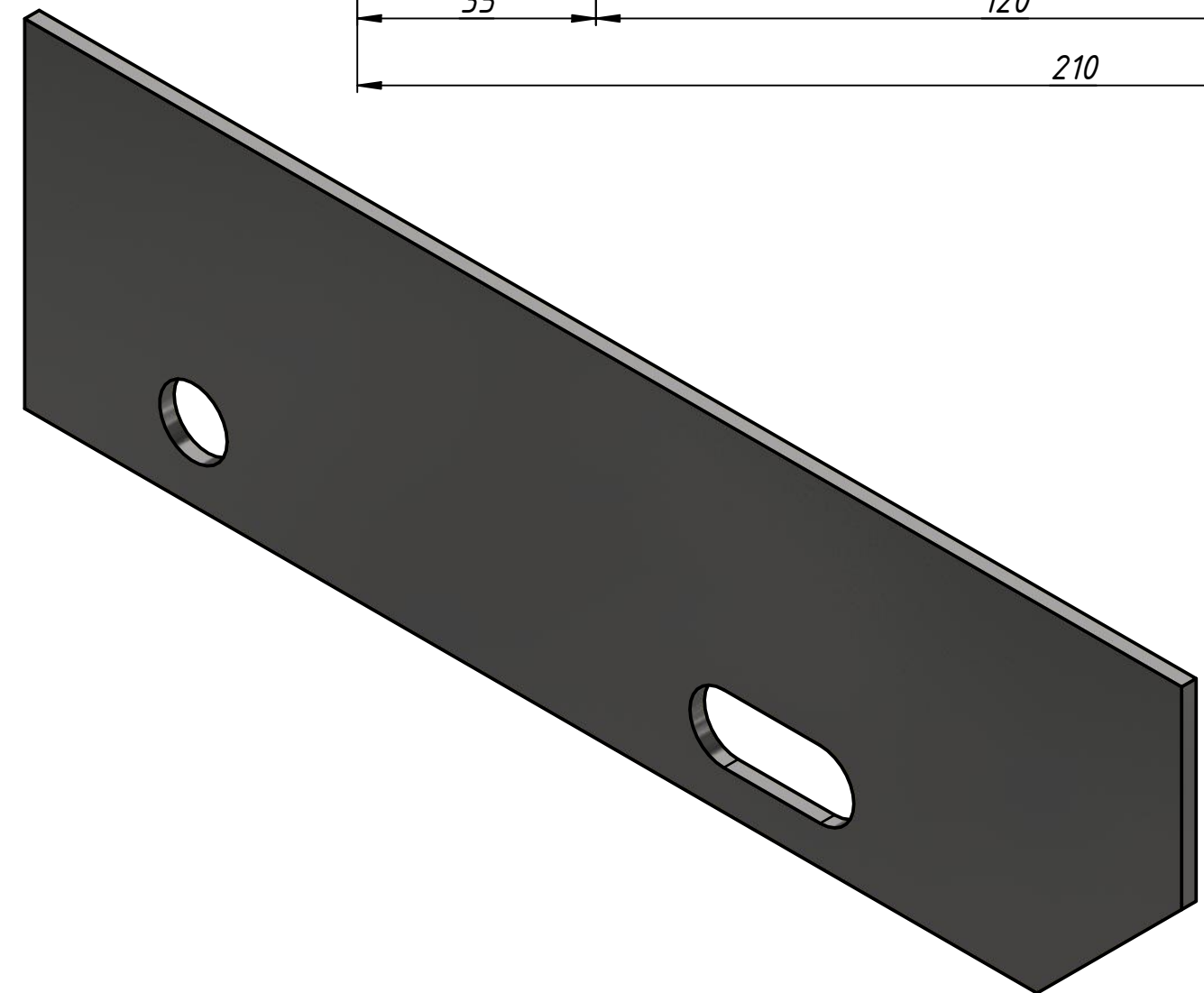
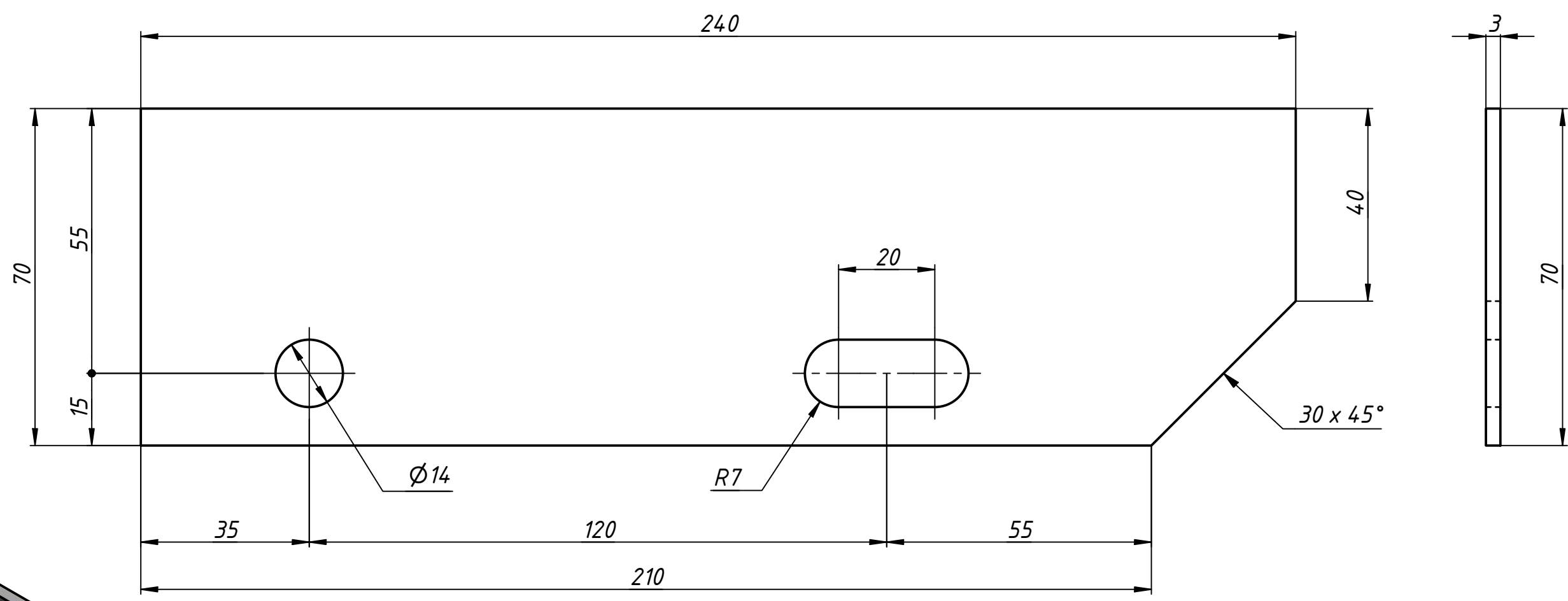


Rz 40/√(√)



Rev.	Draw.	N° doc.	Sign.	Date	SideStepPlate			
Designed	Evgenii P			12.03.202	DE 240	Rev.	Weight	Scale
Checked							0,4	1:1
					S3	Sheet	Sheets	1
Approv.								

**METAL DISAIN**

Size A3