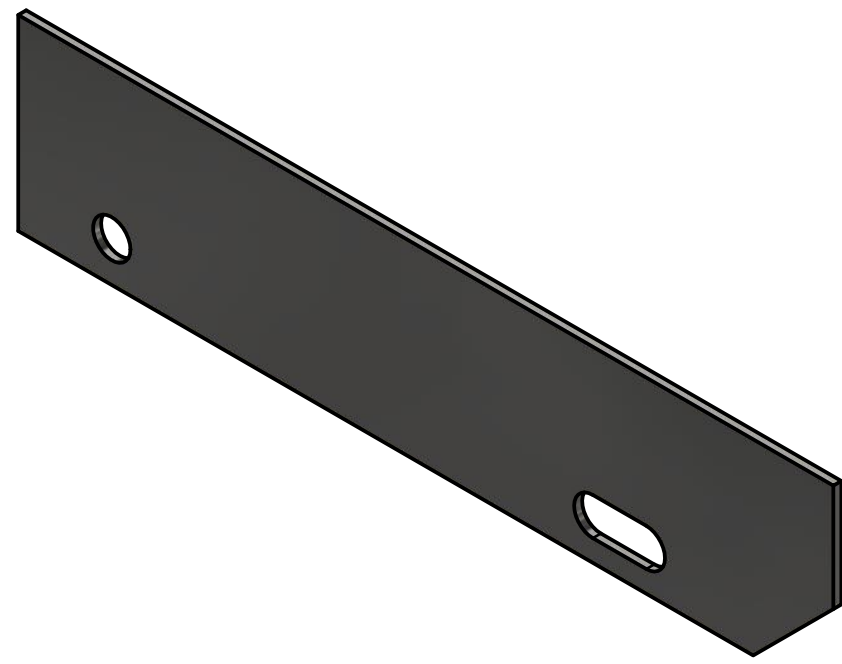
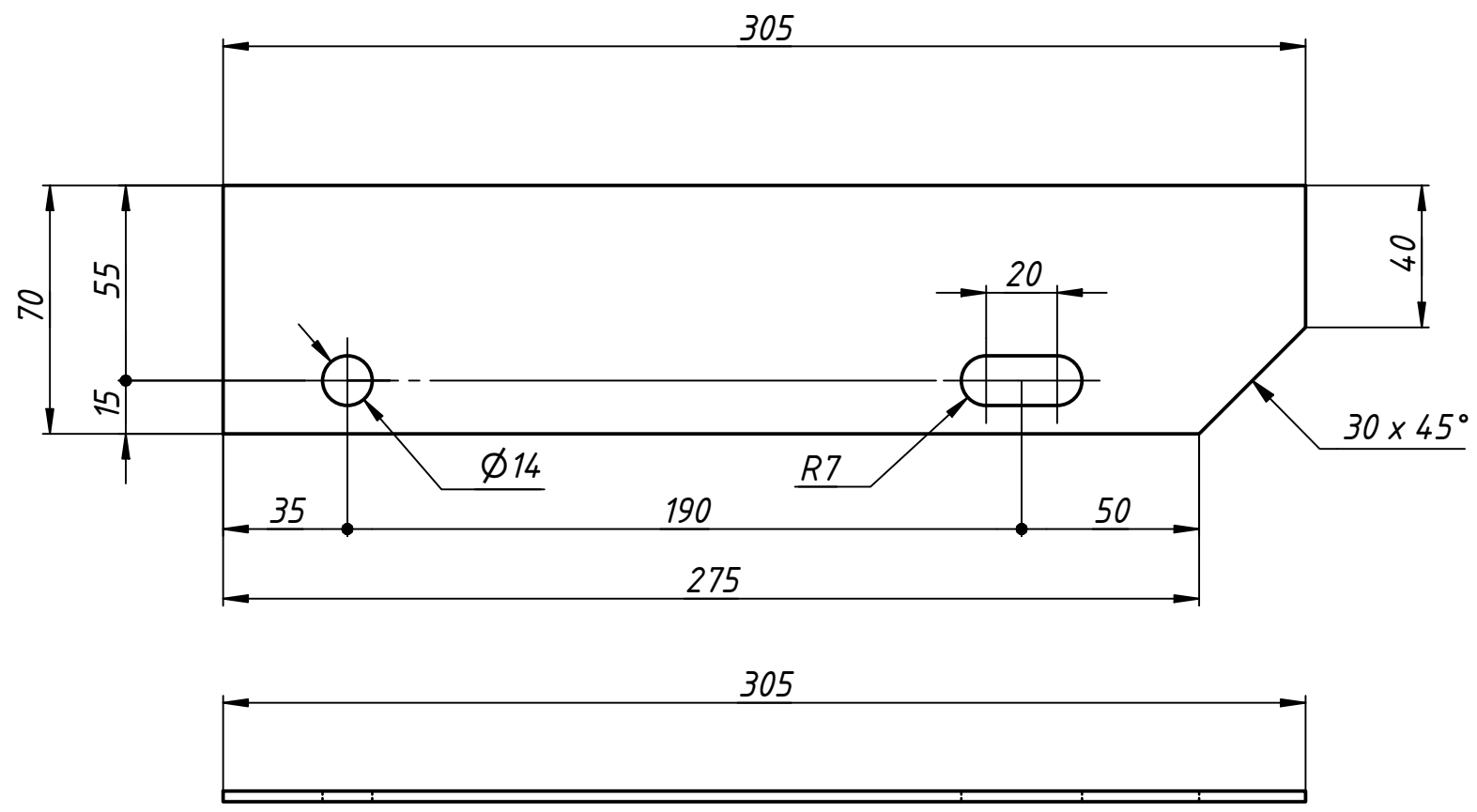


Rz 40 $\sqrt{(\vee)}$



Rev.	Draw.	N° doc.	Sign.	Date	Side Step Plate			
Designed	Evgenii P			01.01.1601	DE 305	Rev.	Weight	Scale
Checked	Petrov						0,5	1:2
						Sheet	Sheets	1
					3 mm	METAL DISAIN		
Approv.	Sidorov							