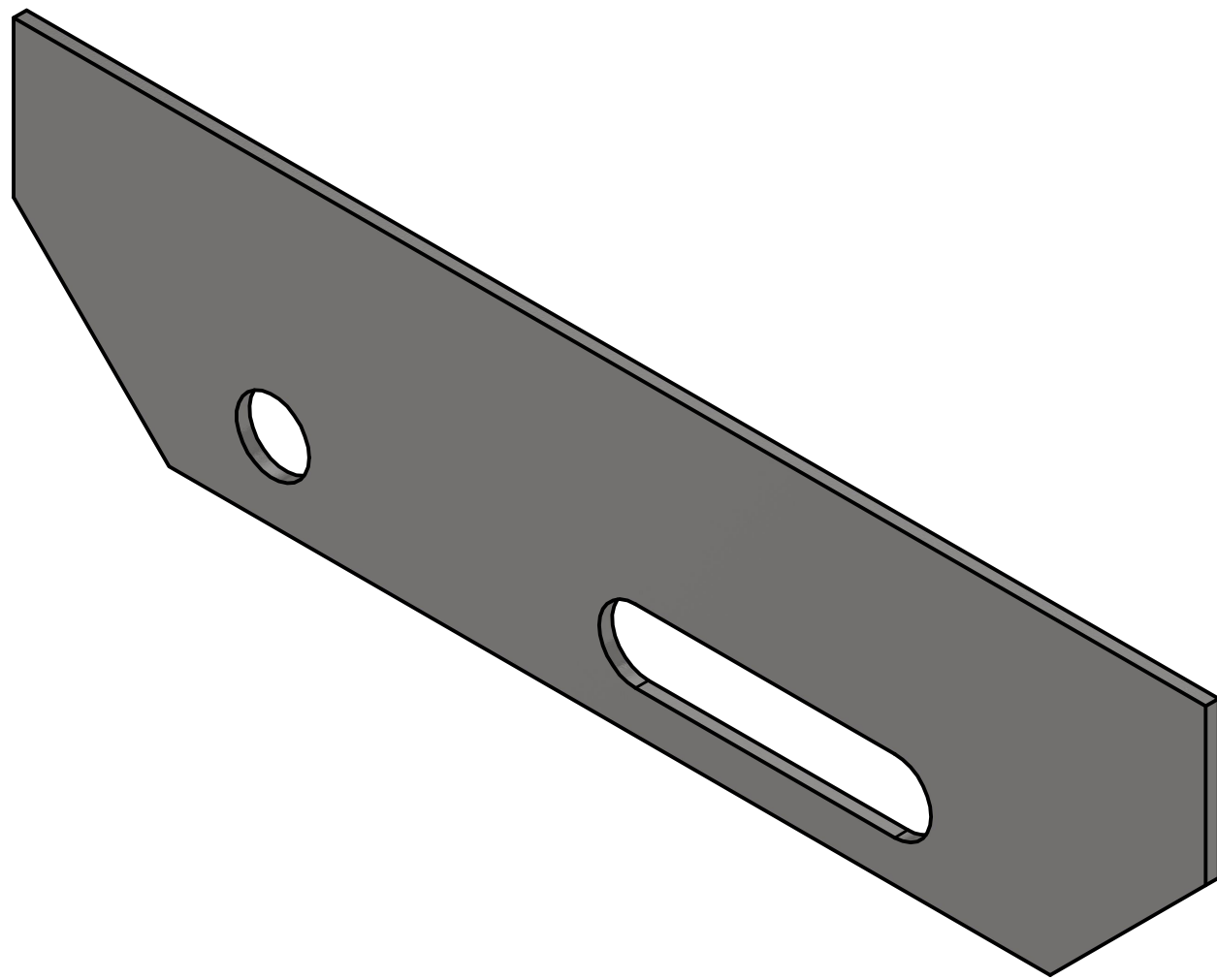
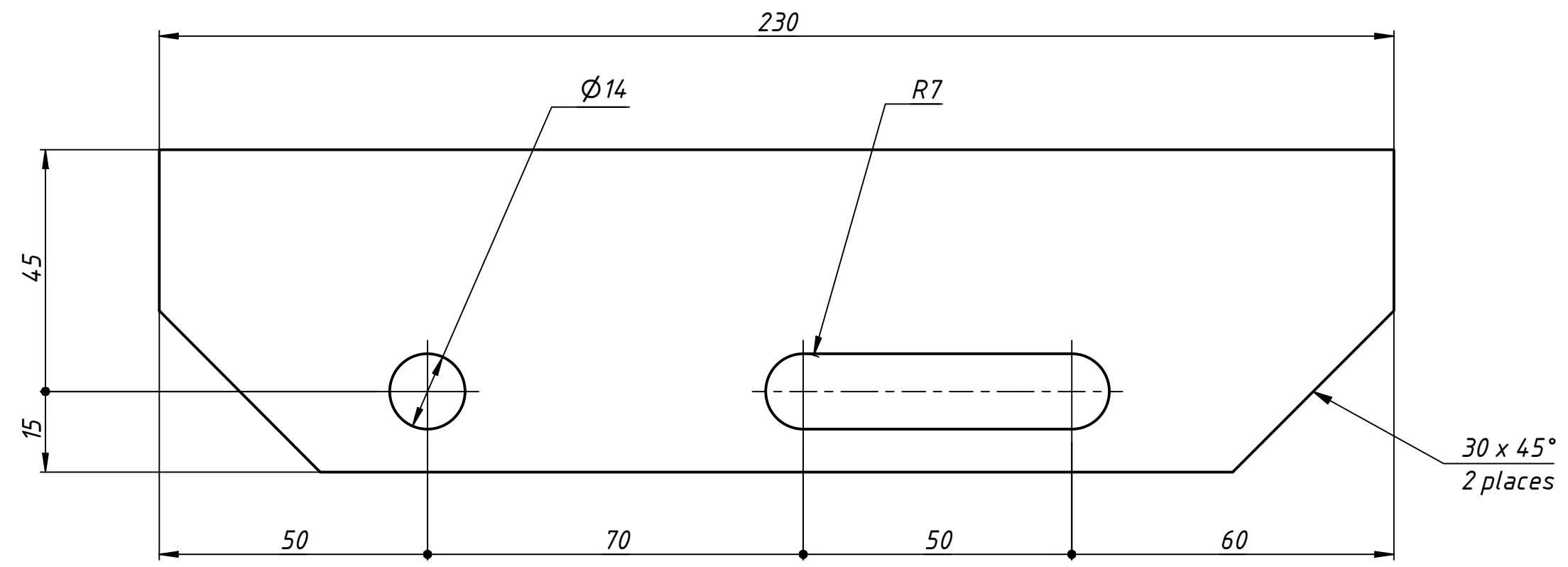


Rz 40  $\sqrt{(\checkmark)}$



Rev.	Draw.	N° doc.	Sign.	Date	SideStepPlate			
Designed	Evgenii P			31.01.2022	FIN 230	Rev.	Weight	Scale
Checked							0,2	1:1
					S2.5	Sheet	Sheets	1
Approv.								

**METAL DISAIN**