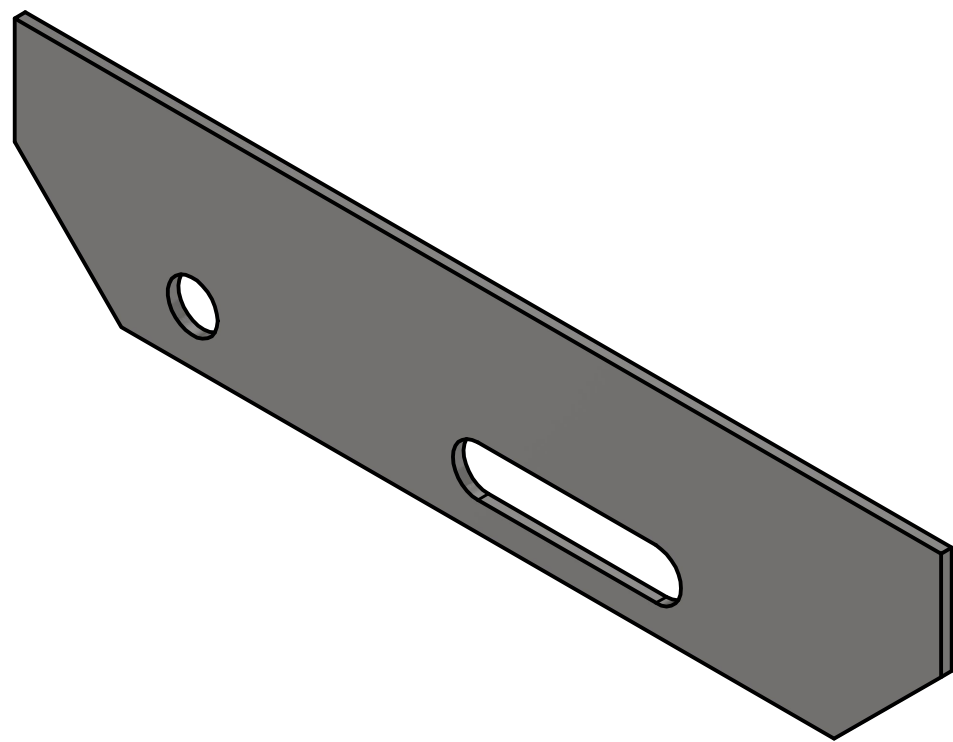
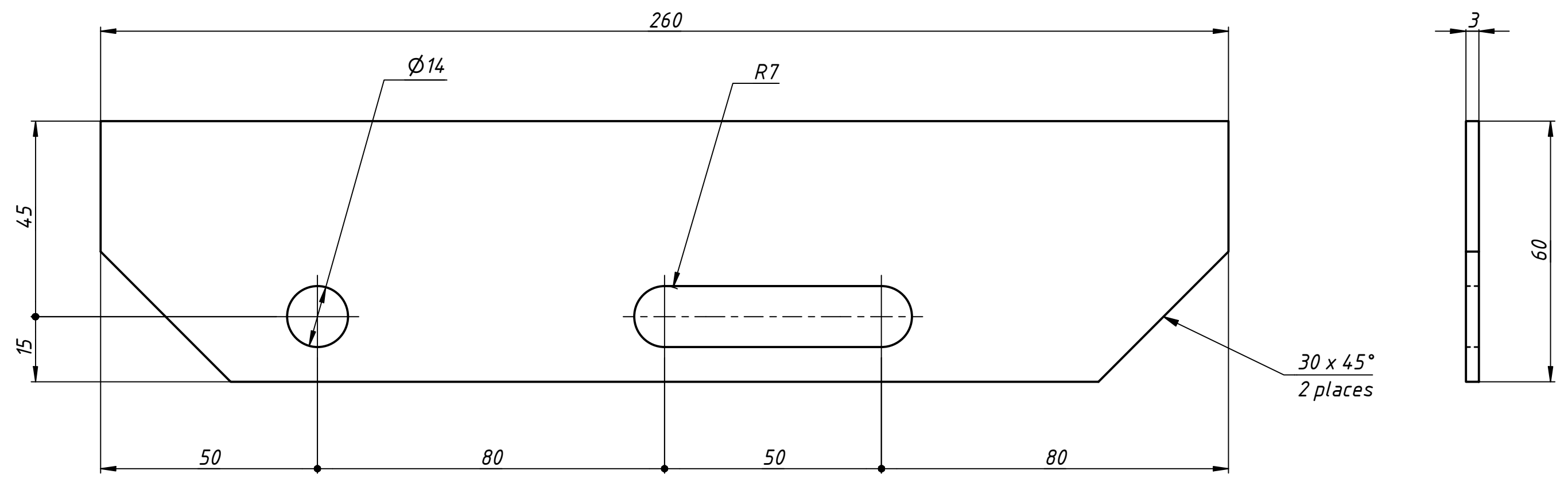


Rz 40 $\sqrt{(\checkmark)}$



Rev.	Draw.	N° doc.	Sign.	Date	SideStepPlate			
	Designed	Evgenii P		31.01.2022	FIN 260	Rev.	Weight	Scale
	Checked						0,3	1:1
					S3	Sheet	Sheets	1
	Approv.							