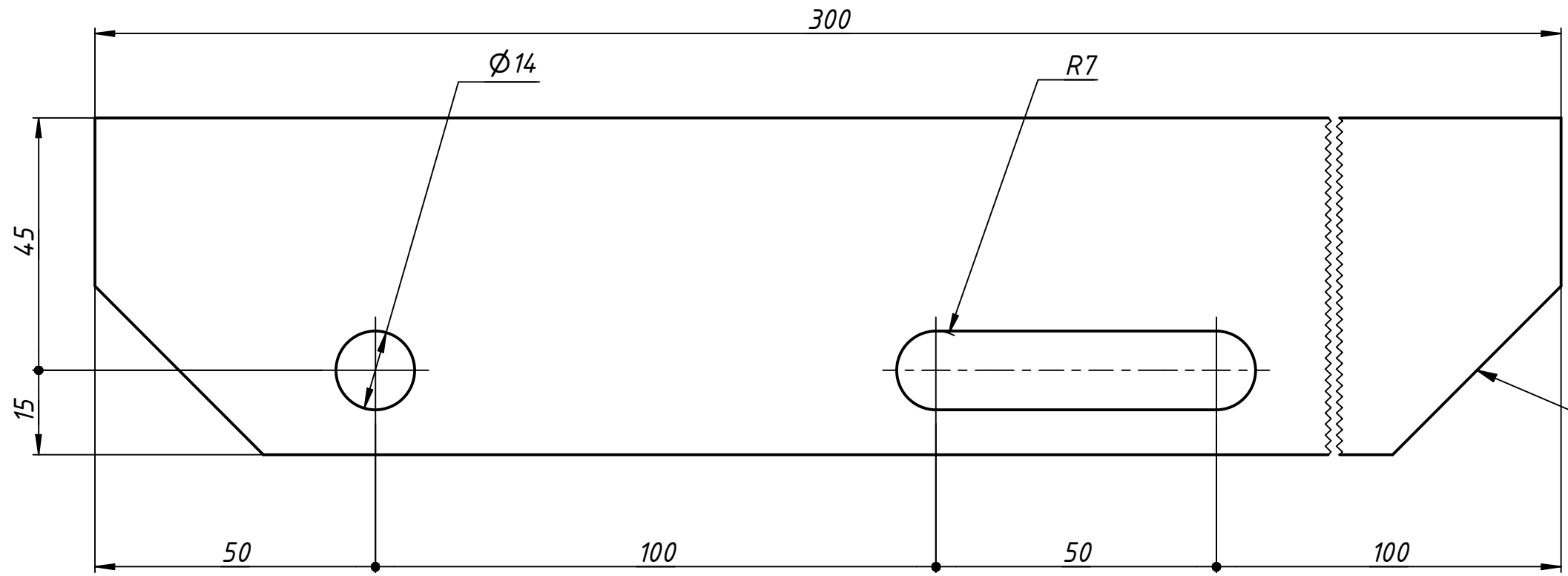
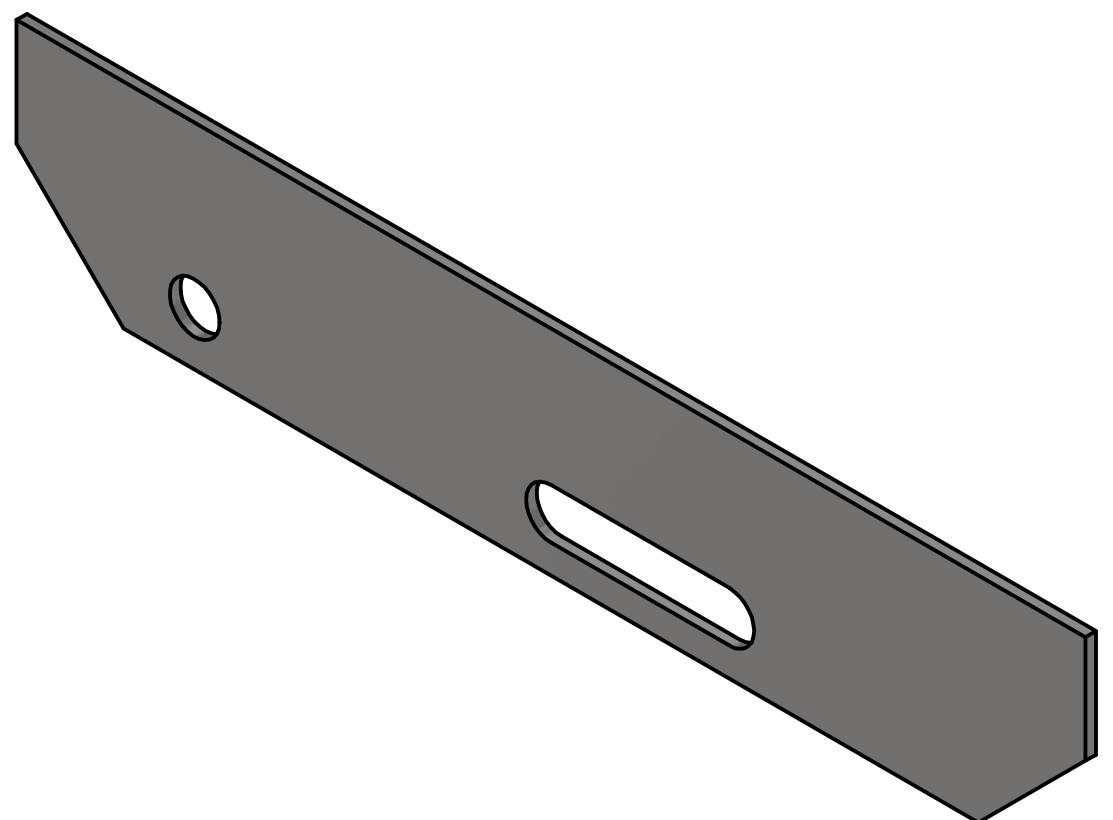


Rz 40 $\sqrt{(\checkmark)}$



30 x 45°
2 places



Rev.	Draw.	N° doc.	Sign.	Date	SideStepPlate			
Designed	Evgenii P			31.01.2022	FIN 300	Rev.	Weight	Scale
Checked							0,4	1:1
					S3	Sheet	Sheets	1
Approv.								