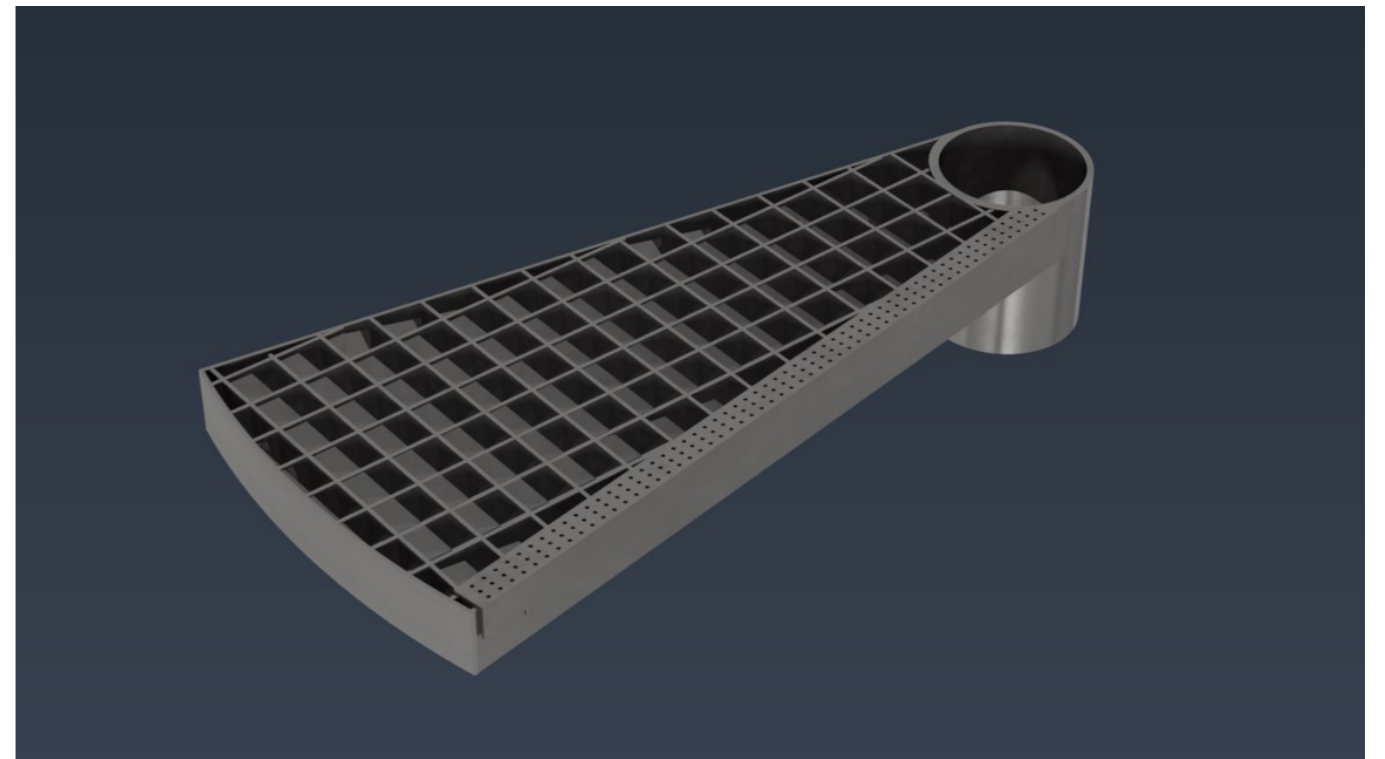
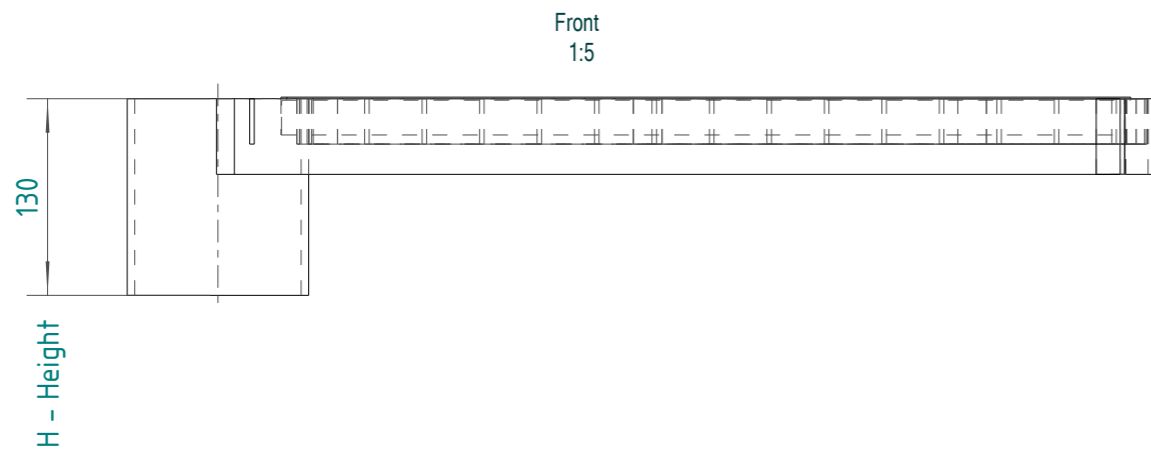
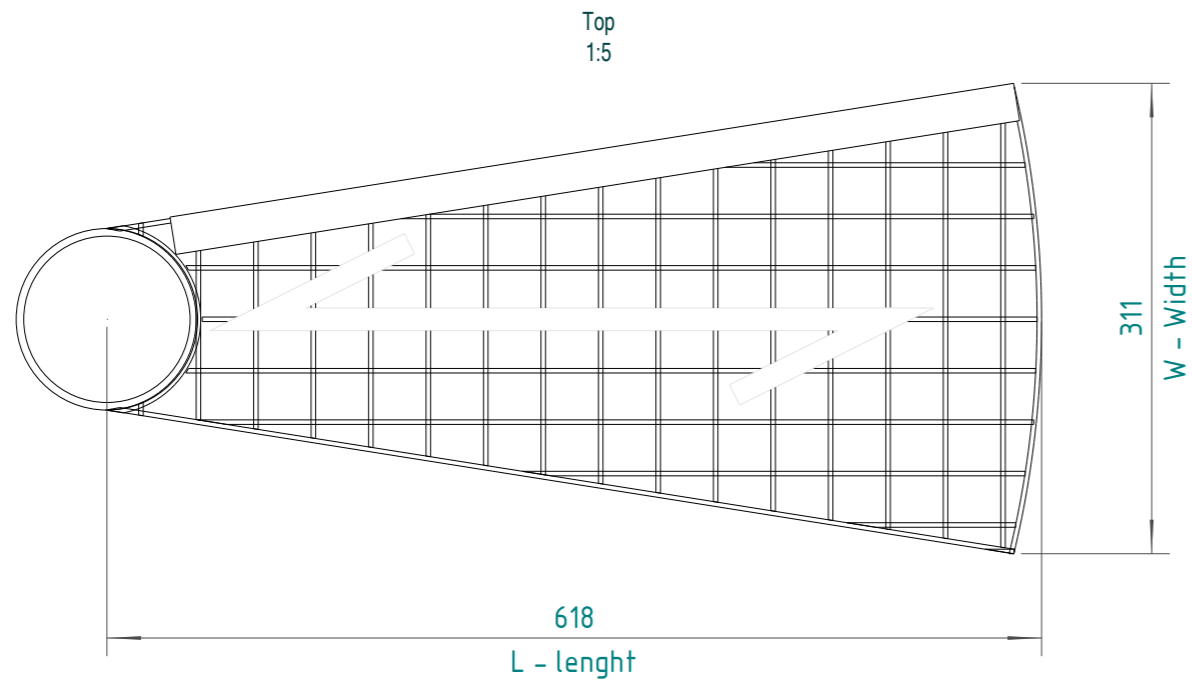


List of assemblies			
Assembly	Quantity	Weight, kg	
		assembly	total
ST-3	1	92	92
Total:		92	



Step for the Round Stair.

Cell Type: 34*76/30*3 or 34*38/30*3

Material: S235

Anti-Slip Angle: Yes

Designed by Evgenii P	Checked by	Approved by	Date 30.05.2022	Scale 1:4 1:5	Size 420x297
METAL DISAIN			Round Stair Step		
			ST-3	Revision	Sheet