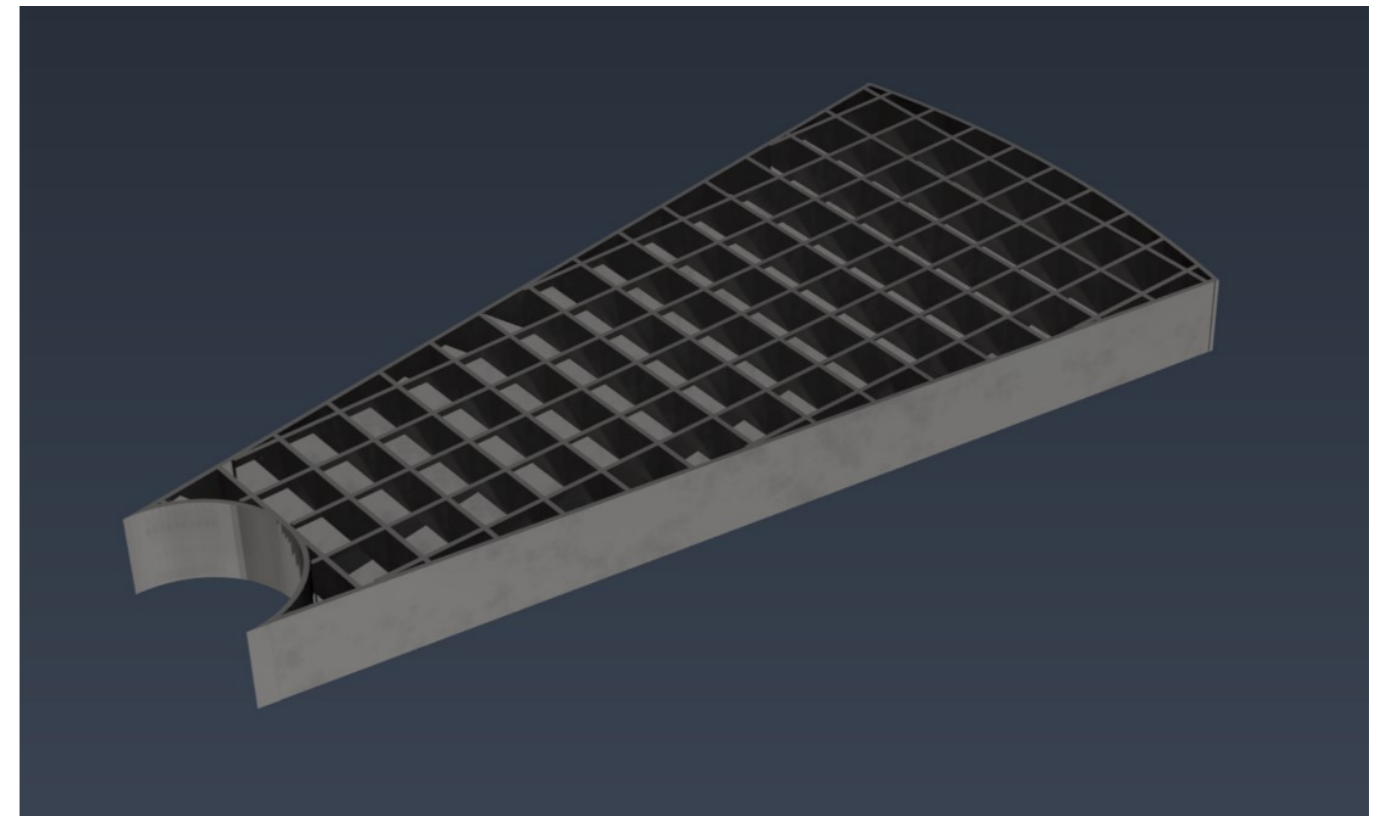
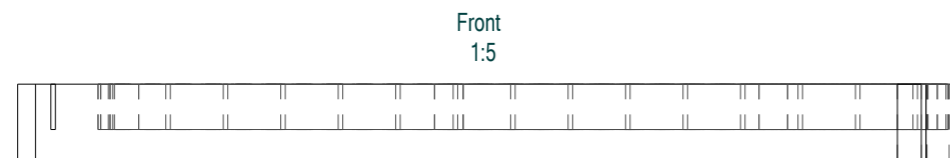
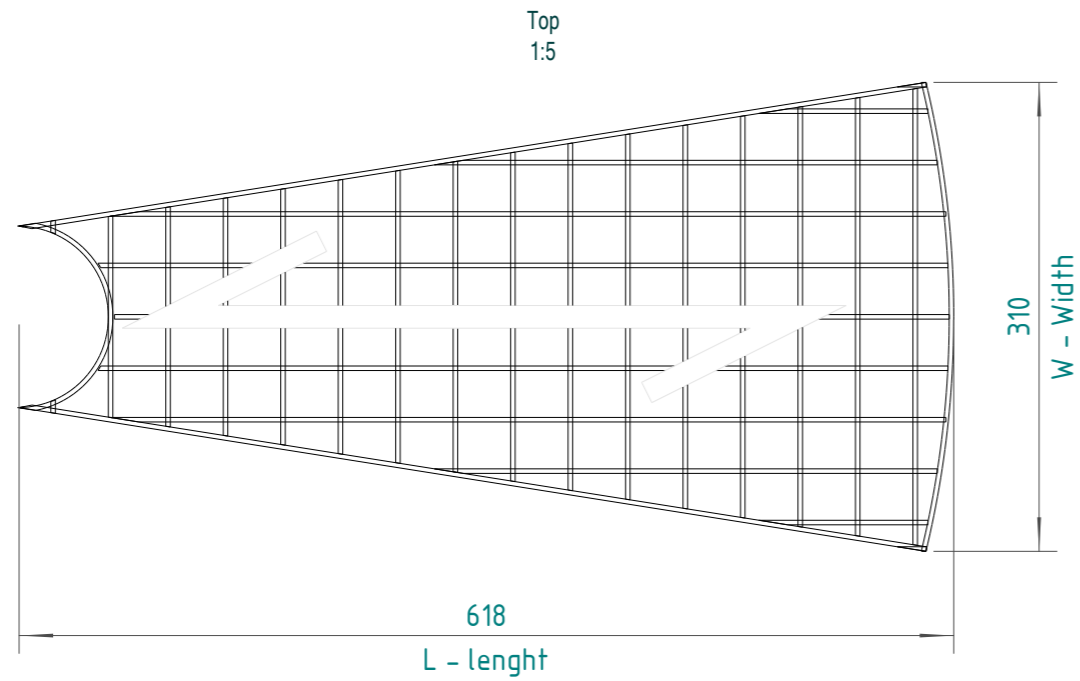


List of assemblies			
Assembly	Quantity	Weight, kg	
		assembly	total
ST-1	1	70	70
Total:		70	



Step for the Round Stair.

Cell Type: 34*76/30*3 or 34*38/30*3

Material: S235

Anti-Slip Angle: No

Designed by Evgenii P	Checked by	Approved by	Date 30.05.2022	Scale 1:4 1:5	Size 420x297
METAL DISAIN			Round Stair Step		
			ST-1	Revision	Sheet